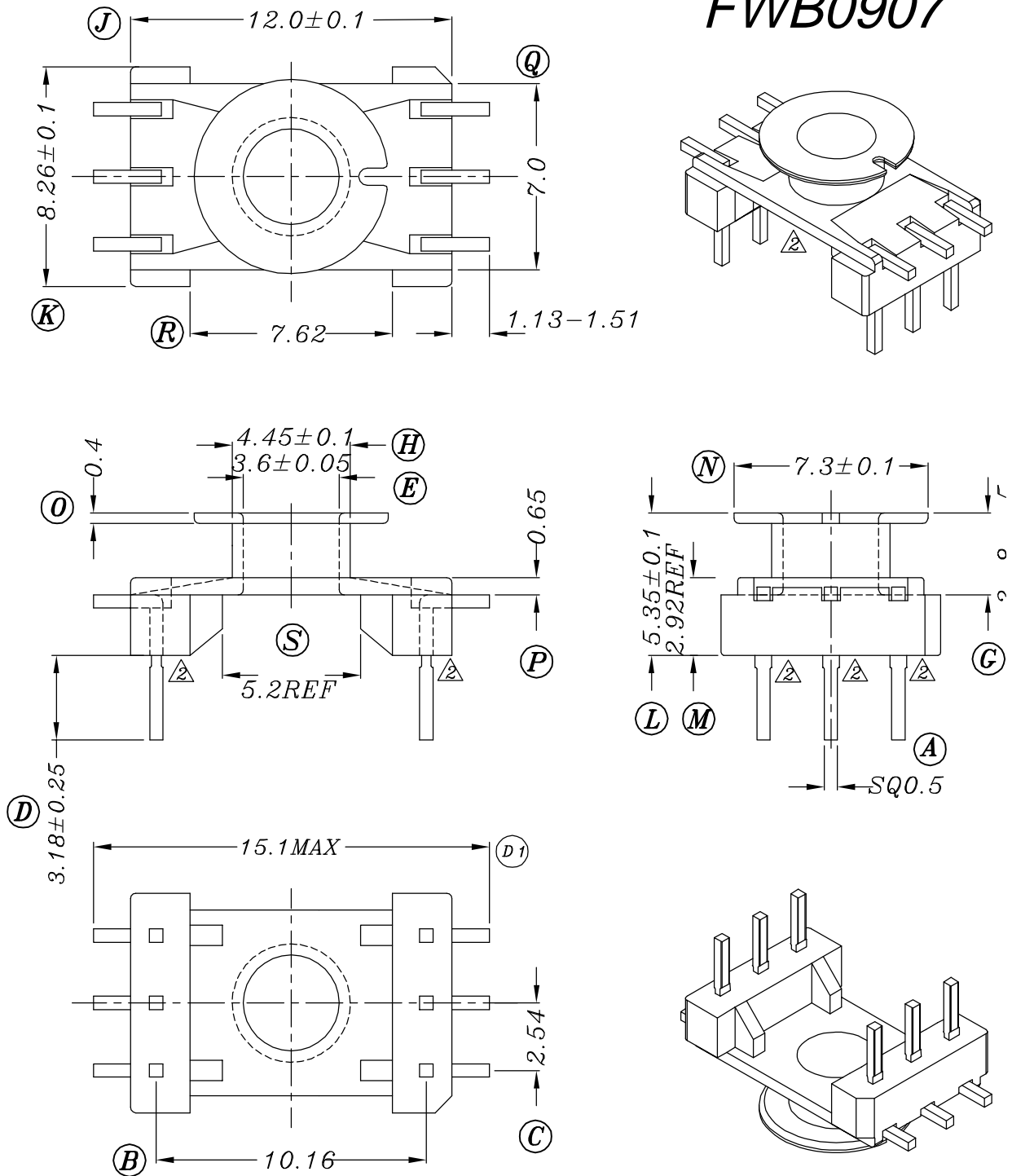


FWB0907



| REV | REVISION RECORD | DATE | REV | REVISION RECORD | DATE | | |
|------------------------------------|-----------------|---------------------------|-----------|---|------|-------|---------------|
| A | | | C | | | | |
| B | | | D | | | | |
| NAME | ER9.5 (3+3P) | MATERIAL | LCP E4008 | SCALE | 1/1 | ANGLE | $\pm 1^\circ$ |
| DRAWING NO. | FWB0907 | PIN MATERIAL | CP WIRE | UNIT | m/m | REV | A |
| TOLERANCE OF PIN PITCH ± 0.20 | | | | HAINING FERRIWO ELECTRONICS CO.,LTD. | | | |
| PIN TENSION LOAD kg MIN | | UL REC: 94V-0 | | TEL: +86-573-87088701 FAX: +86-573-87081130 | | | |
| TOLERANCE: $0 < L \leq 4: \pm 0.2$ | | $4 < L \leq 16: \pm 0.3$ | | Web: www.ferriwo.com Email: sales@ferriwo.com | | | |
| | | $16 < L \leq 63: \pm 0.4$ | | | | | |